

# Sliding Security Screen Door Hardware Leichhardt

## Application/Description

Single & Multi point mortice sliding security door lock.

## Features and Specifications

- Suits either Left or Right hand closing sliding doors
- Parrot beak deadlock
- Key deadlock from both sides
- Self latching
- Inside snib
- Key overrides snib operation
- Accepts Whitco Euro profile lazy cam cylinder locks
- Can only be key locked or snibbed when fully latched with striker
- Optional Multi Point kits available for 2 and 3 point applications
- Zinc diecast furniture and locking mechanism
- Steel zinc plated cover plate

Available in Display and Trade Packs.

## Keying

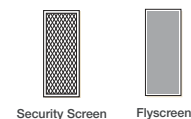
- Use with Whitco Euro profile lazy cam cylinder locks
- 2 x 5 pin cylinder lock
- 2 x 10 disc cylinder lock

## Non Standard Finishes

Other polyester powder coat finishes available on application.



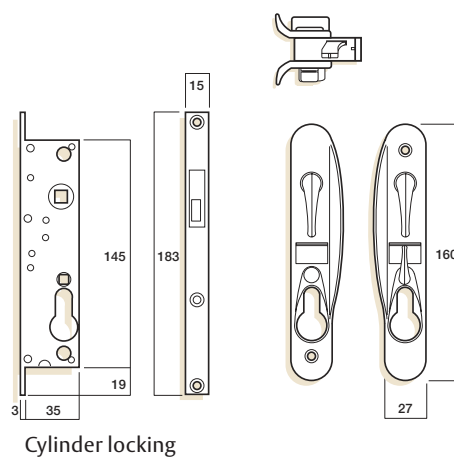
✓ Aluminium



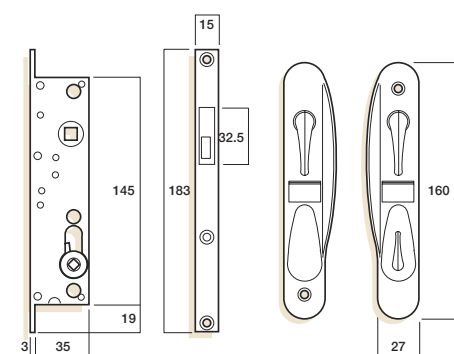
## Ordering

Display Pack	
Standard striker, furniture no cylinder centre lock, screws	W8679••
Trade Pack - Standard	
Centre lock furniture, Standard parrot beak bolt and strike, inside snib, no cylinder – Single point lock Mechanism, suits standard 20 mm doors	W866717
Furniture with extended lever and snib – Single point lock mechanism, suits 30 mm door thickness	W8669••
Furniture, standard Parrot beak bolt & strike, inside snib, no cylinder – to suit multi point kits	W8653••
Furniture, snib inside only - mechanism, Standard strike, No cylinder (right hand)	W866417
(left hand)	W866517
Dummy Pull set – Internal and external pull	W866617

•• Denots finish. See price list for available pack / finish combinations



Cylinder locking



Snib locking